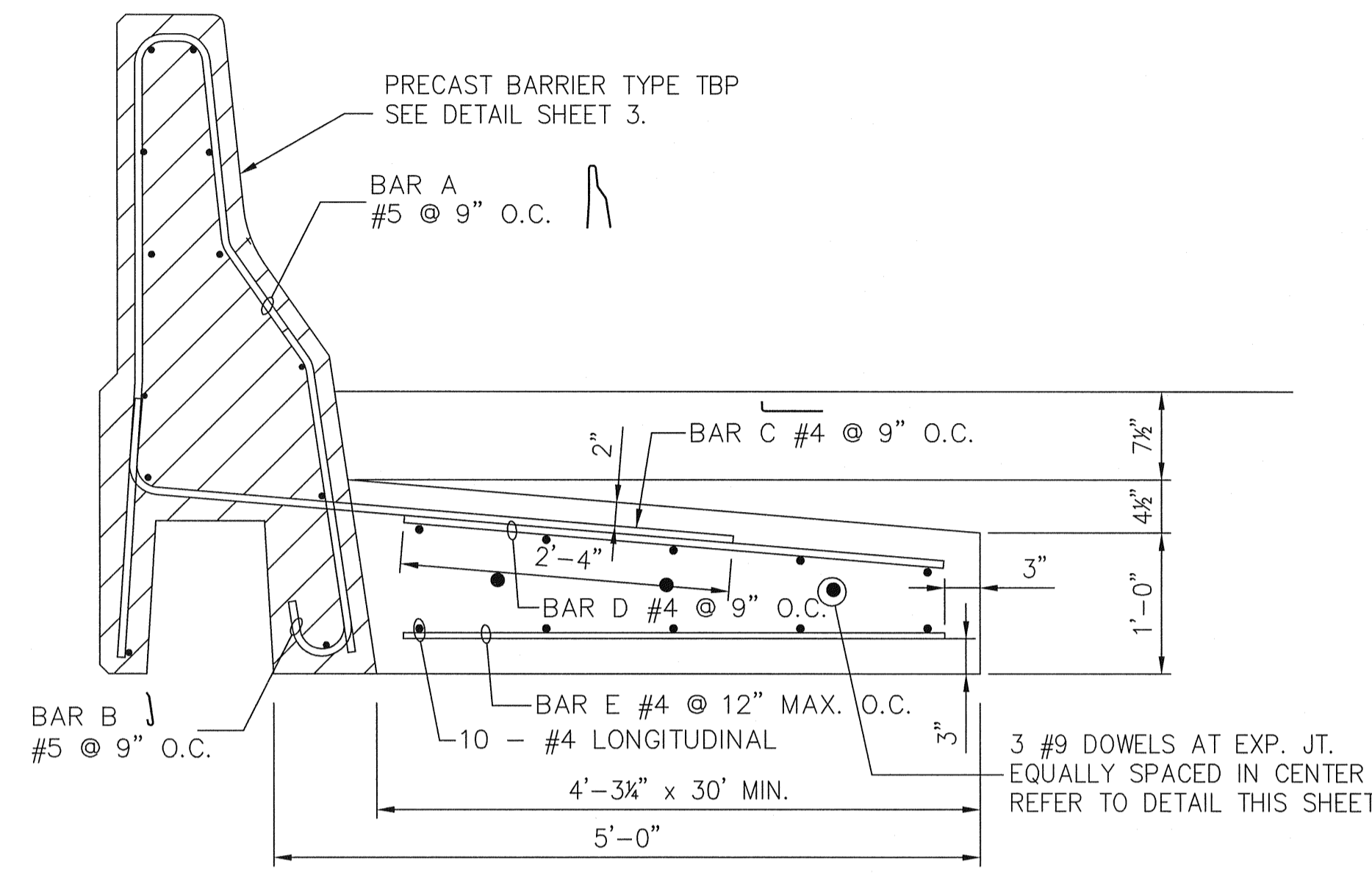
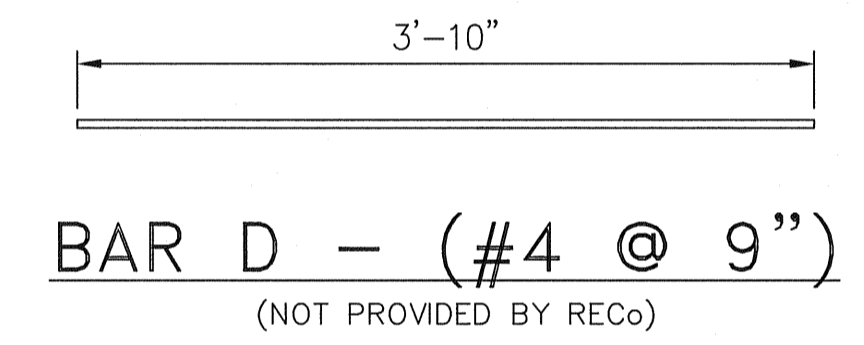


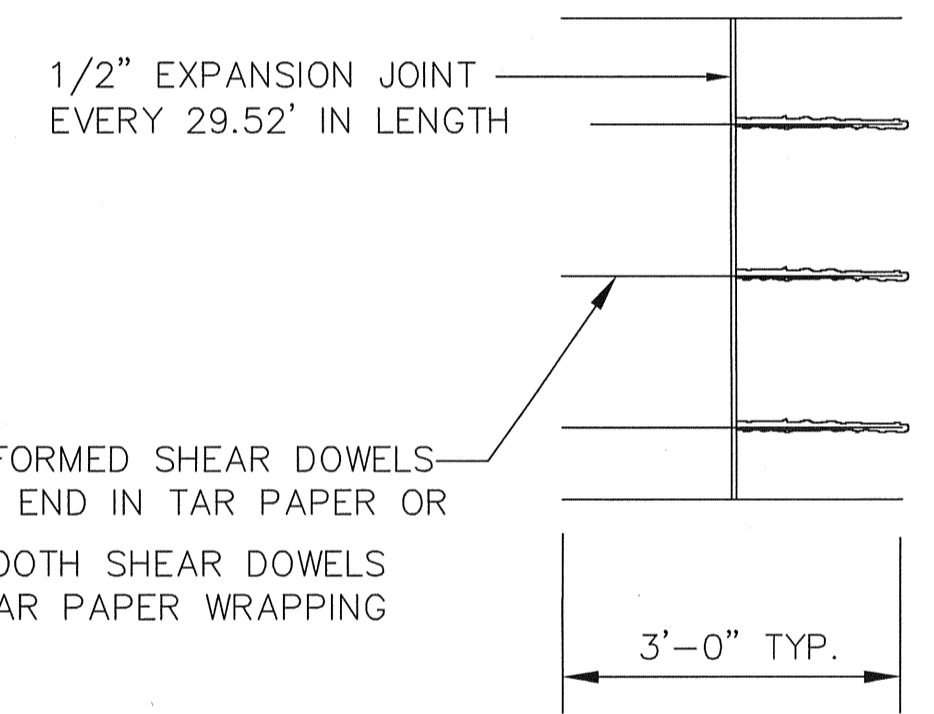
State	Project Number	Sheet No.	Total Sheets
GA	NHIMO-0075-02 (211)	--	--



PRECAST TRAFFIC BARRIER TYPE (TBP)



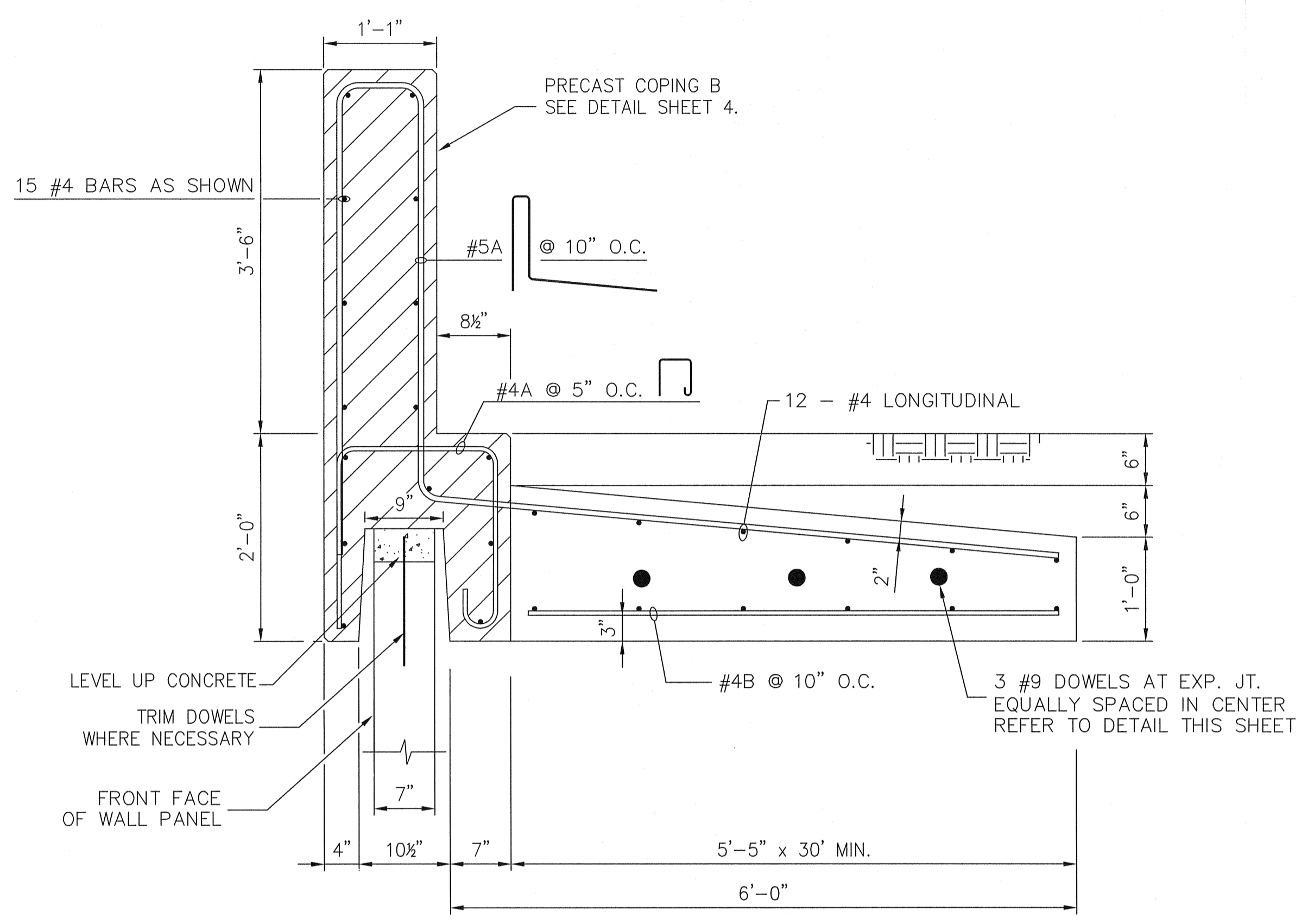
BAR BENDING DETAILS  
SCALE: 1"=1'-0"



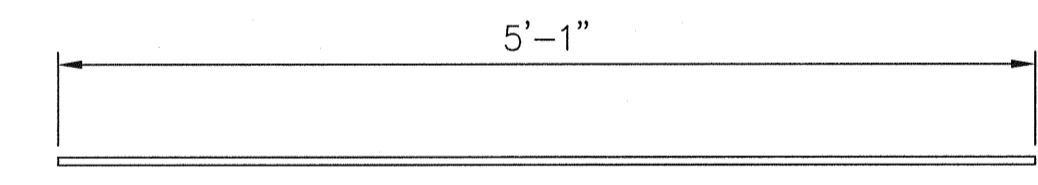
MOMENT SLAB EXPANSION JOINT DETAIL  
SCALE: 1" = 1'-0"

CONCRETE AND REINFORCING STEEL PROPERTIES	
CONCRETE:	f'c = 4,000 psi
REINF. STEEL:	ASTM A-615 GRADE 60, fy = 60,000 psi

NOTE:  
STANDARD BARRIER & COPING UNIT IS 10'-0" LONG WITH SQUARE ENDS. ALL SHORTER LENGTHS REQUIRING BEVELED ENDS SHALL BE FIELD CAST BY THE CONTRACTOR.  
BARRIER AND COPING B SECTIONS ARE NOT DESIGNED FOR USE WITH NOISEWALLS.



TYPICAL PRECAST COPING B DETAIL  
SCALE: 1" = 1'-0"



BAR #4B  
(NOT PROVIDED BY RECO)

This drawing contains information proprietary to The Reinforced Earth Company, and is being furnished for the use of THE GEORGIA DEPT. OF TRANSPORTATION only in connection with this project, and the information contained is not to be transmitted to any other organization unless specifically authorized in writing by The Reinforced Earth Company. The Reinforced Earth Company is exclusive licensee in the United States under patents issued to Henri Vidal, and the furnishing of this drawing does not constitute an expressed or implied license under the Vidal patents.



"REINFORCED EARTH" is the registered trademark of The Reinforced Earth Company.



WALL SHEET OF

DATE	GEORGIA DEPARTMENT OF TRANSPORTATION HIGHWAY DIVISION - BRIDGE DESIGN		
	I-75 FROM PIERCE AVE TO ARKWRIGHT RD BIBB COUNTY		
	REINFORCED EARTH RETAINING WALL		
	PRECAST BARRIER & COPING B SECTIONS		
REVISIONS	DESIGNED	TRACED	REVIEWED
	DRAWN	CHECKED	APPROVED
BY			